



Shenzhen VANQ Technology Co., Ltd.

Plant grow light series

VQ-GLTF800-800W LED Top Fill Light Specifications



Manufacturer: Shenzhen VANQ Technology Co., Ltd.

Address: 3#, BLDG B, Debaoli Industrial park, NO. 312, Jihua Road, Bantian, Longgang, Shenzhen China

Tel: +86 755 29042099 Fax: +86 755 29042092 Email: vanqled@vanqled.com

Web: www.vanqled.com www.vanqled.com.cn

Version: 2022.07

GLTF Series

GLTF800 800W LED Grow Light

1 Product introduction

1.1 Introduction

Thank you for purchasing the GLTF800. The VQ-GLTF800 is a 800W horticultural LED light. The GLTF800 is intended to be used in indoor grow rooms. This manual describes the installation and connection of the product and also describes how to use the product. Mounting and installing of the GLTF800 may only be executed by certified service personnel. Please read and understand this manual completely before using the product. Only use the product as specified in this manual.

1.2 Product Features

- 1:1 replacement for HPS grow light Compatibility with old HPS wiring and electrical. Easy & direct installation, no circuit layout changes required.
- Excellent heat dissipation, easy to maintain. 6063 aviation aluminum material, excellent heat dissipation. detachable LED module, easy to maintain.
- Full spectrum, high output, energy saved. 2160 $\mu\text{mol/s}$ output 25% energy saved VS. 1000W HPS, Broad full spectrum (6500K+660nm+450nm) designed for all stage of growth.
- Wide light distribution for Uniform crop. Broad-coverage light match the HPS, which enables wide & even light distribution, thus promising growers a more uniform crop.
- Flexible Smart Control System (With independent dimmer knob & RJ14 port) Stepless dimming to meet the need of growth cycles from veg to bloom for various crops.

2 Product Information & Specifications

2.1 ORDERING CODE MATRIX FOR GLTF800 LIGHT FIXTURE

FAMILY	MODEL	INPUT VOLTAGE	LED	PLUG TYPE
VQ-GLTF	800	-S:100-277VAC P-S:277-480VAC * P-S is only available with pigtail power cord	-SE:San'an+Epistar	-US5 NEMA 5-15P -US6 NEMA 6-15P -USL7 NEMA L7-15P -EU EU 230V -UK UK 240V -AUS AUS/NZS 240V -P Pigtail

For example: 1、VQ-GLTF800-S-SE-US5 refers to our company's 800W top fill light, mains input, ordinary lamp beads, and US plug.

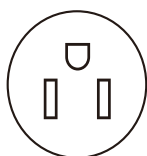
2、VQ-GLTF800P-S-SE-P refers to our company's 800W top fill light, high voltage input, ordinary lamp beads, and bare wire ends.

2.2 Specifications

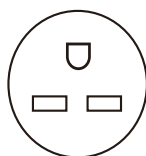
Model		VQ-GLTF800
Power		
Input Power		800w±5%
Input Voltage(Standard)		100-277VAC
High Input Voltage(Optional)		277-480VAC
Light Source Details		
LED Diodes - White	Model	SMD5050
	Supplier	San'an
	LED Diodes Qty Per GLTF800 Series LED Fixture	428pcs
LED Diodes - Single Color	Model(460nm)	SMD5050
	Supplier	San'an
	LED Diodes Qty Per GLTF800 Series LED Fixture	20pcs
	Model(660nm)	SMD3535
	Supplier	Epistar
	LED Diodes Qty Per GLTF800 Series LED Fixture	180pcs
Total LED Diodes Number		628pcs
Spectrum		
Relative Radiation Intensity		
PAR (Photosynthetically Active Radiation)		
PPF(Photosynthetic Photon Flux)	2160 μmol/s	
Efficacy	2.6-2.8 μmol/J	
Physical		
LED Fixture Weight	15kg, 33.1 lbs	
Dimensions	730Lx315Wx110H(mm), 28.75Lx12.4Wx4.33H(in)	
Working Temperature	-20° C ~ 40° C -4° F ~ 104° F	
Dimming	0-10V	
Waterproof	Main components (power supply and light source) IP65, the whole lamp is not waterproof	
Light Source	LED	
AC Input Power	800W @ 240VAC	
AC Input Voltage	100-277V AC, 277-480V AC, 50/60Hz	
Light Distribution	120°	

2.3 General Information

Product Name	GLTF800 800W LED Grow Light			
Manufacturer	Shenzhen VANQ Technology Co., Ltd.			
Version	US	EU	UK	AUS
Plug Type	US plug 120-277V	EU plug 230V	UK plug 240V	AUS/NZS plug 240V
Input Voltage	100-277VAC	100-277VAC	100-277VAC	100-277VAC



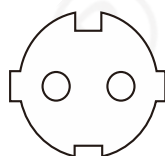
US 5-15P



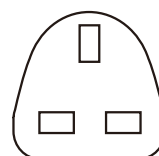
US 6-15P



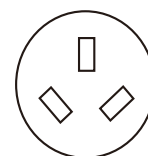
US L7-15P



EU plug 230V



UK plug 240V



AUS/NZS
plug 240V

Note: Other types of plug are also available, please check with our sales engineers directly.

2.4 NOMINAL ELECTRICAL AC INPUT

AC Voltage	120V	208V	230V	277V	347V	380V	400V	480V
AC Current	7.0A	3.9A	3.5A	2.95A	2.3A	2.1A	2A	1.66A
AC Power	846W	808W	805W	800W	800W	800W	800W	800W
Power Factor	1	0.99	0.99	0.98	0.98	0.98	0.98	0.98

Note: The standard model comes with LED driver supporting only 100-277VAC input. 347V, 380V, 400V, 480V needs to be specially customized, please check with our sales engineers directly.

3 Safety Precautions

Carefully read the safety Precautions below before using or working with the product.

- 1、Always adhere to the local rules and regulations when installing or using the LED light.
- 2、DO NOT connect to live power until installation is complete.
- 3、Do not open or disassemble the LED light. Opening or modifying the LED light can be dangerous and will void the warranty.
- 4、Do not use the LED light when either the LED light or its power cord are damaged. Replace the power cord only with original certified cords.
- 5、Modifications to the cords can lead to unwanted electromagnetic effects, which makes the product not comply with legal requirements.
- 6、Do not expose the LED light to:
 - (ambient) temperatures outside the specified range;
 - dust and contamination;
 - direct sunlight during use or HID light that could heat up the ballast.
- 7、Always disconnect the LED light from mains before performing any maintenance.
- 8、Always allow for a cool down period of at least 30 minutes before touching the LED bars. Touching the LED bars when the light is lit or immediately afterwards can result in severe burns!
- 9、Do not use the LED light near flammable, explosive or reactive substances. Do not use sulfur

vaporizers or water misters.

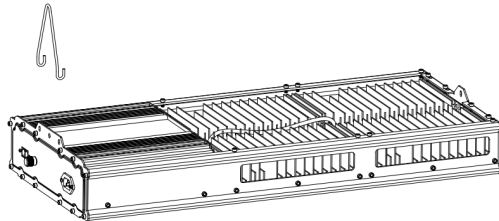
10. The installation and use of the LED light is the responsibility of the end user. Incorrect use or installation can lead to failure and damage to the LED light.

4 Installation & Connect

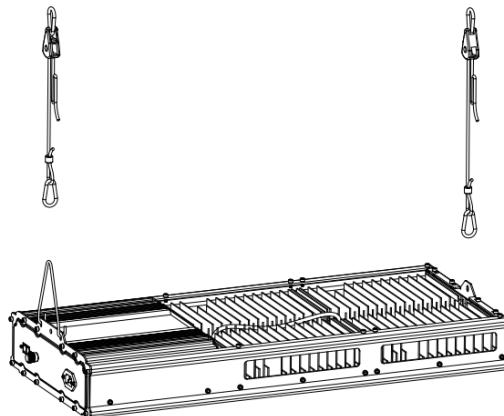
1. Mounting and installing of the LED light may only be executed by certified service personnel, in accordance with the applicable local laws and regulations.
2. The installer is responsible for correct and safe installation.
3. Ensure the local cabling can support the voltage and current requirements of the LED light.
4. Avoid coiled cords and keep mains leads separated. This prevents electromagnetic interference.
5. Do not connect or disconnect the LED light under load.
6. Mount the system to something that can hold the weight of the LED light.

4.1 Installation guide

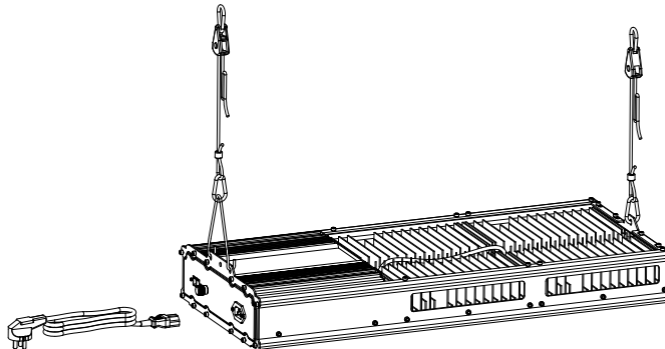
1. Hang the V-Hook on the Lamp



2. Hang one adjustable ratchet hanger on the light fixture and the other on the V-shaped hook



3. Insert the unpowered power cord into the corresponding port of the light fixture

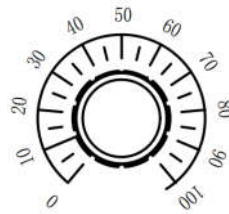
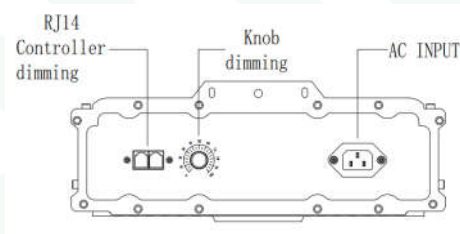


4.2 Connecting the LED light to the mains

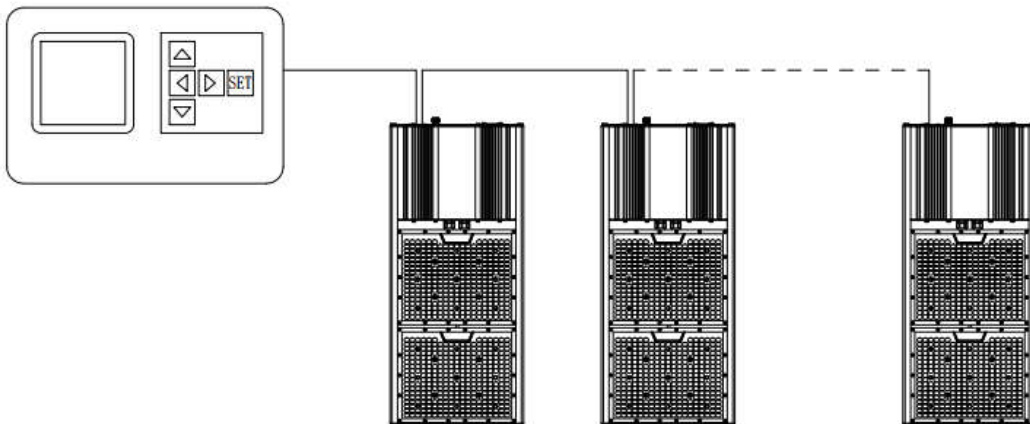
- 1、 Make sure mains power is switched off.
- 2、 Ensure the cord is not coiled and does not touch any hot surfaces.
- 3、 Connect the cables according to local rules, safety regulations and electrical code.
- 4、 Ensure external switching gear can cope with the inrush current of the LED fixture. Always use a double pole contactor suitable for switching a capacitive load. Never use household timers to switch the LED fixture!

4.3 Connecting LED Lights To A Controller

- 1、 Do not connect or disconnect the controller with LED light under load.
- 2、 Ensure the power cord and the controller cables do not touch lamp.
- 3、 Using a daisy chain setup, a maximum of 50pcs LED lights can be connected to one controller. The controller can dim the LED light from 0 to 100%.
 - Connect the dimming cable to the dimming port on the first LED light.
 - Use dimming cable (RJ14 network cable) to connect the dimming port of the following LED light.
 - Repeat these steps to connect up to 50pcs LED lights.



single control Knob dimming

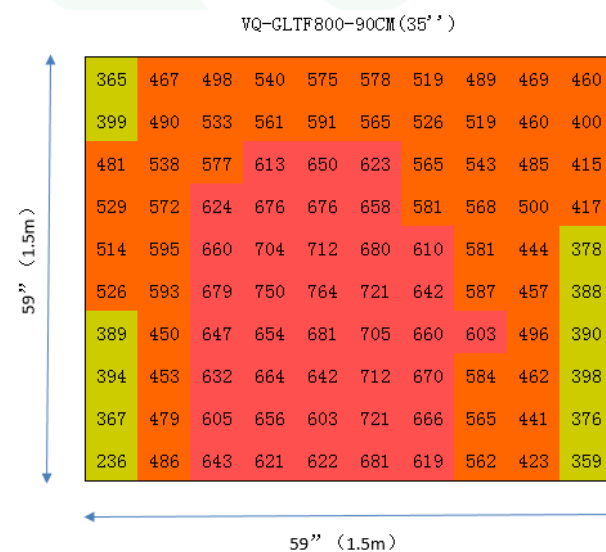
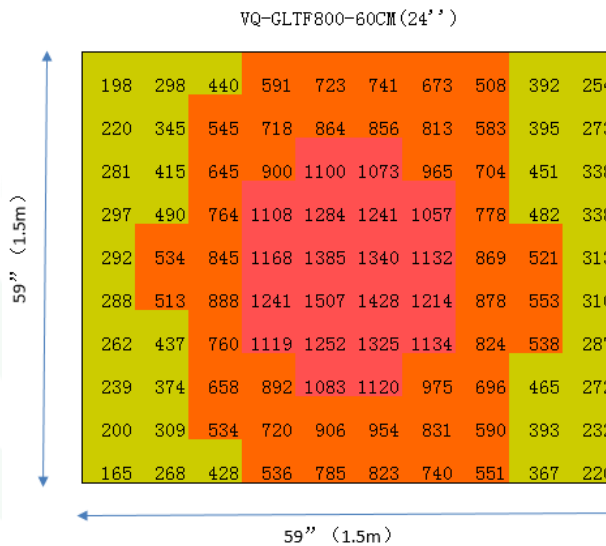
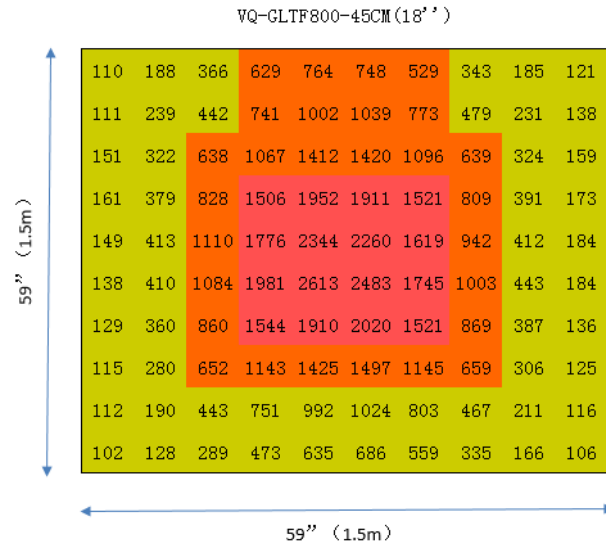


daisy-chain control dimming

4.4 PPFD test

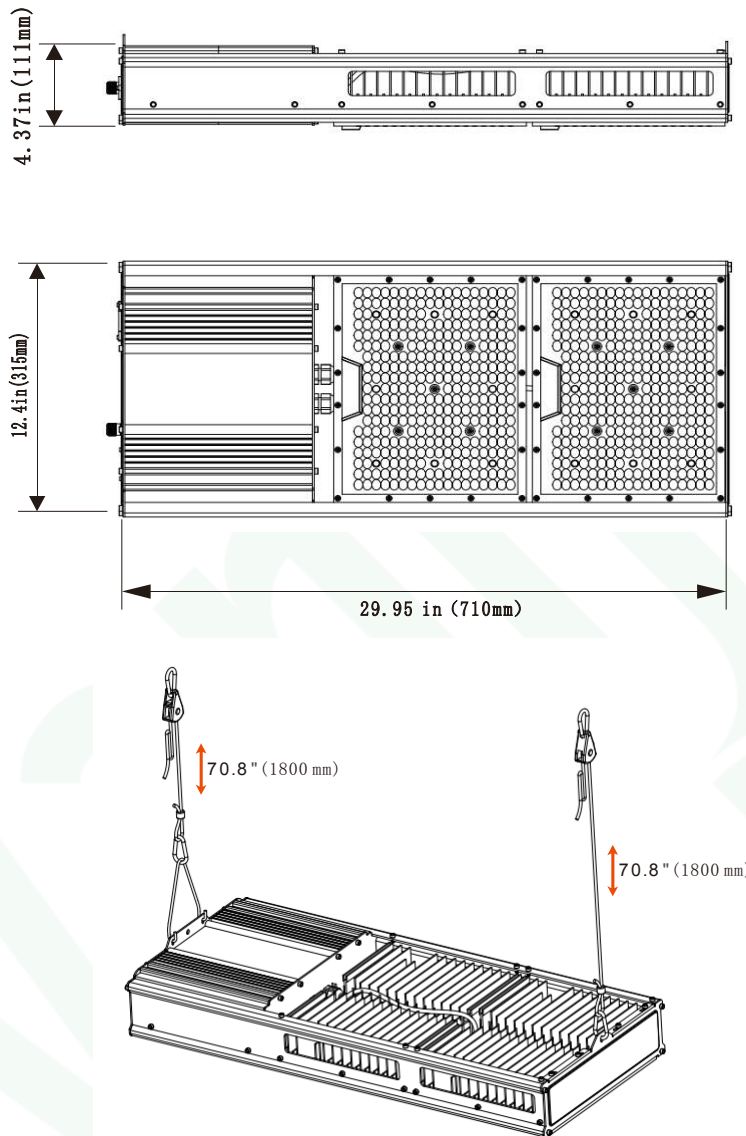
Below is the PPFD map of 59in x 59in /1.5m x 1.5m at different hanging heights.

*Typical data of GLTF800 tested in a 5ftx5ft grow tent



5 Size & Packaging:

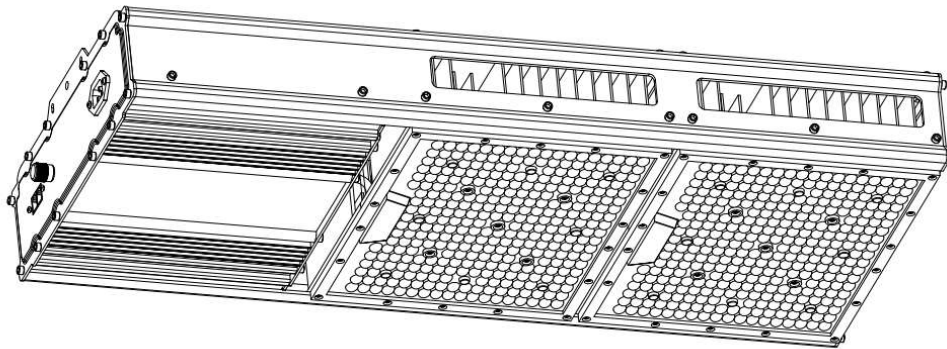
5.1 Size



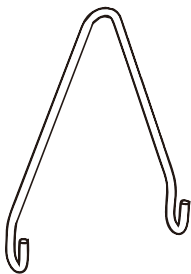
5.2 Packing List

Please follow the content of the list and carefully check whether the purchased equipment and accessories are complete. If you find that the actual product does not match the list, or the product is damaged, please contact us mediately and provide photos or videos!

No.	Product Name	Model	Quantity
1	Lamps	VQ-GLTF800	1
2	Plug wire	1.5m/5ft	1
3	hook up	V shape	1
4	1/8" Adjustable Ratchet Hangers	1.8m/6ft	2



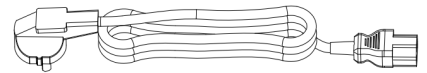
VQ-GLTF800 X 1



hook up X 1

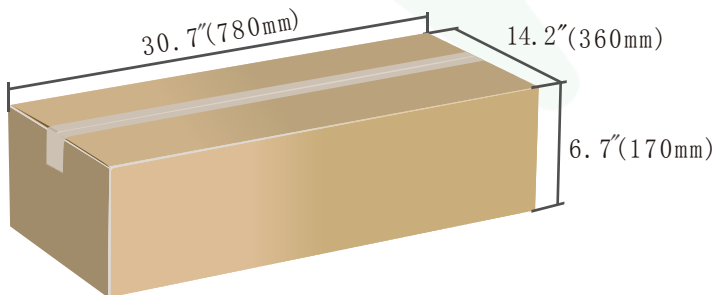


1/8" Adjustable Ratchet Hangers X 2



plug wire X 1

5.3 Packaging



Packaging: 1pcs/carton

Gross Weight: 18kg (39.7lbs)

Net Weight: 15 kg (33.1lbs)

Size: 30.7L x 14.2W x 6.7 H (inch)

780L x 360W x 170H (mm)

Packaging Material: plastic and foam and carton

6 Inspection, maintenance and repair

Do not clean the LED fixture with detergents, abrasives or other aggress.

- 1、 Regularly check the LED fixture for dust or dirt buildup. Clean if necessary. Contamination may cause overheating and decreased performance. Clean the outside of the LED fixture using a dry or damp cloth.
- 2、 Regularly check the cables of the LED fixture to ensure it is undamaged.

7 Storage and disposal

- 1、 Store the LED fixture in a dry and clean environment, with an ambient temperature of $-20^{\circ}\sim 85^{\circ}$ C.
- 2、 The product must not be discarded as unsorted municipal waste, but must be collected separately for the purpose of treatment, recovery and environmentally sound disposal.

8 Warranty service

VANQ technology warrants the mechanical and electronic components of their product to be free of defects in material and workmanship if used under normal operating conditions for a period of three (3) years from the original date of purchase. If the product shows any defects within this period and that defect is not due to user error or improper use, VANQ technology shall, at its discretion either replace or repair the product using suitable new or reconditioned products or parts. In case VANQ technology decides to replace the entire product, this limited warranty shall apply to the replacement product for the remaining initial warranty period, i.e. three (3) years from the date of purchase of the original product. For service, return the GLTF800 light to your shop with the original sales receipt.